

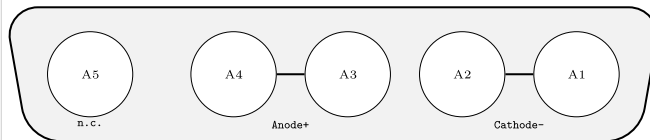
Tabletop Laser & Peltier Driver

Type: ds11-la55v05-pa12v24-t12702c-15



- Laser max.: 55A, 5V
- TEC max.: 12A, 18V
- trise-tfall < 25us (optional < 5us)
- Supply Voltage: 90~230VAC - 50/60Hz
- External, Analog and Digital Modulation
- Internal Pulse Generator
- Pulses and Bursts internally and externally triggered
- Bias Current option
- Pilot Laser Supply
- External Fan Support
- Current Monitor
- optional additional TEC-stages

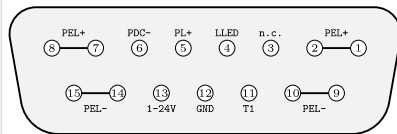
Laser Connector



SubD-5W5 female

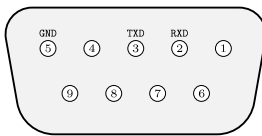
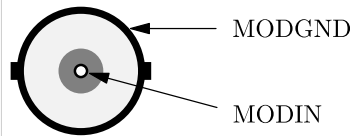
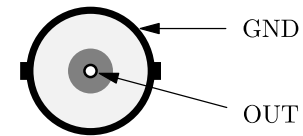
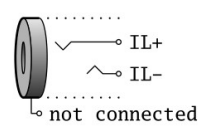
PIN.No	Abbr.	Function
A3; A4	LANO+	Laser Diode Anode (+)
A1; A2	LCAT-	Laser Diode Cathode (-)
A5	n.c.	

Support & Peltier Connector

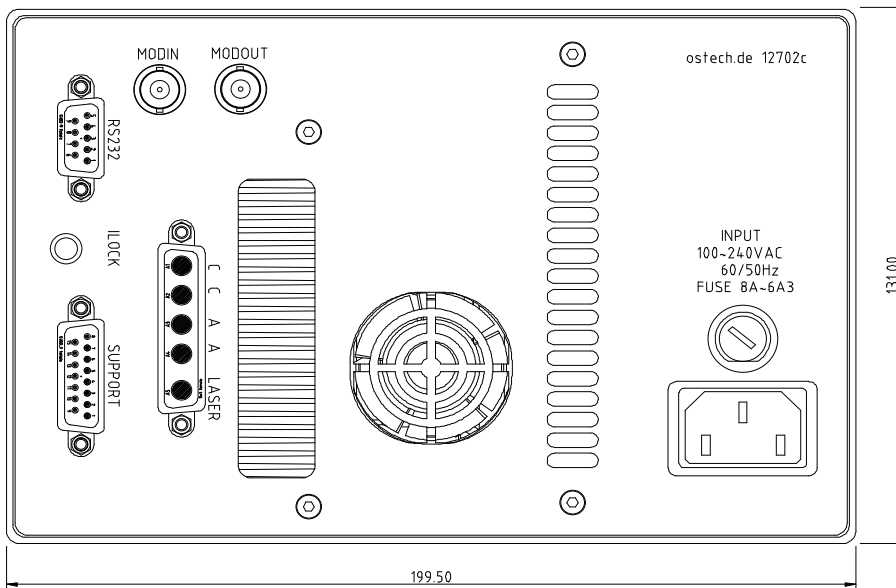


SubD-15 female

PIN.No	Abbr.	Function
1;2;7;8	PEL+	Peltier element (+)
3	n.c.	
4	LLED	Laser Active LED (+) ca.5mA v.s. GND
5	PL+	Pilot Laser (+) v.s. GND
6	PDC-	Photo Diode Cathode (-) v.s. GND
9;10;14;15	PEL-	Peltier element (-)
11	T1	Temperature Sensor 1 Input, default NTC10kΩ, v.s. GND
12	GND	Common Ground
13	1-24V	1..24V supply, max. 500mA, vs. GND, supports fan etc.

RS232 Connector	AMOD/DMOD-IN Connector	MOD-OUT Connector	Interlock Connector
			
SubD-9 female Standard RS232-Connector 9600-Baud-8N1 (No Null-Modem Cable !) 	BNC-Socket Input-Impdanz 10kOhm Digital Modulation with TTL-Pegel Analog Mod. 0-4[V] => 0-Imax[A] 	BNC-Socket, current monitor 0-Imax[A] -> 0-4[V] Take care for laser isolation if you connect GND potential to an 	Jack Connector 3.5mm Laser runs only if closed (ca. 5mA over 2V -> R <= 400R)

Tabletop Laser & Peltier Driver



rear of the device length = 275mm (10.8")

Revision overview:

2007.10.10: "v0" – derived

2015.01.16: "v1" – temp. sensor input over pin 11 only vs. GND, Photo Diode max. Current increased to 4mA

2017.11.13: "v2" – Software update on Version 2030, LMW down to 1 μ s, RS232-always online, MOD-OUT signal added

2023.01.01: "v3" – rise fall time improved / TEC max. voltage 24V

References:

<http://www.ostech.de/en/products/laser-drivers/ds11-t127>

<http://www.ostech.de/en/downloads/manuals/ds-en.pdf>

<http://www.ostech.de/en/downloads/labview>

Accessories

- acc-converter-usb-to-rs232-1m5-iso-417
RS232 to USB converter optical isolated with FTDI-Chip cable 1.5m
- kab-lpa08-16pol-subd15m-oe-1.5m-39
cable 16x0.35qmm / subd15-Gold-6,5A per pin to open end / length-1m5
- kab-la60-2x6qmm-5w5-oe-1m3-298
cable 2x6qmm / imax 60A SUBD-5W5 to open ends / length-1m3