

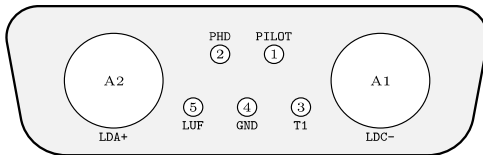
# OEM Laser Controller

Type: ls11-la15v24-o8007-v0-823



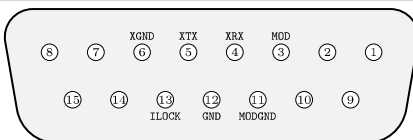
Laser max.: 15A, 24V  
 Vin: 110..230VAC  
 - Analog or Digital Modulation  
 - Bias Current option  
 - Pilot Laser Supply  
 - External Fan Support  
 - optional medical version  
 - optional 2nd TEC

## Laser Connector



PIN.No	Abbr.	Function
A1	LDC-	Laser Diode Cathode
A2	LDA+	Laser Diode Anode
1	PILOT	Pilot Laser Supply
2	PHD	Photo Diode Cathode vs. GND
3	T1	Temp. Sensor 1 vs. GND
4	GND	
5	LUF	Supply 800mA 2..24V for fan vs. GND

## Support & Peltier Connector



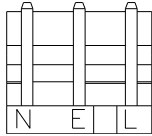
SubD-15 female

Pin.No	Abbr.	Function
3	MOD	Modulation Input
4	XRX	RS232-RX
5	XTX	RS232-TX
6	XGNC	RS232-GND
7;8	n.c.	
11	MODGND	Modulation GND
12	GND	Common Ground
13	ILOCK	Interlock vs. GND
14;15	n.c.	
1,2,9,10	n.c.	may carry Signals depending on Type
	SCR	Common Screen

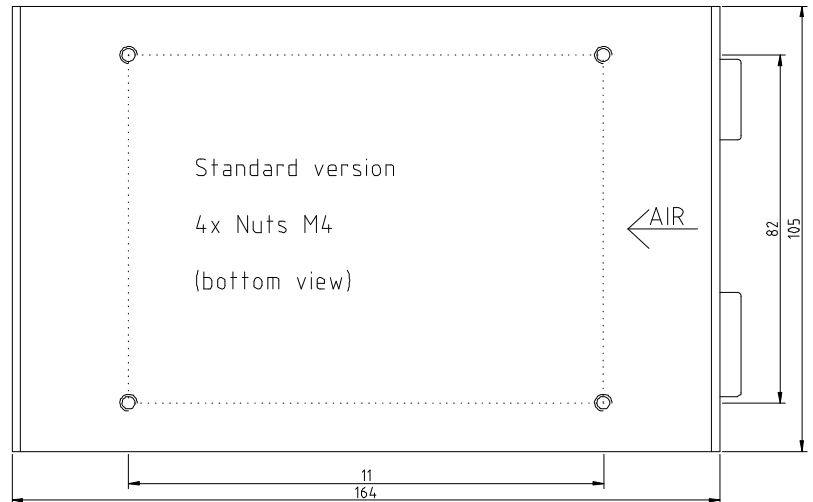
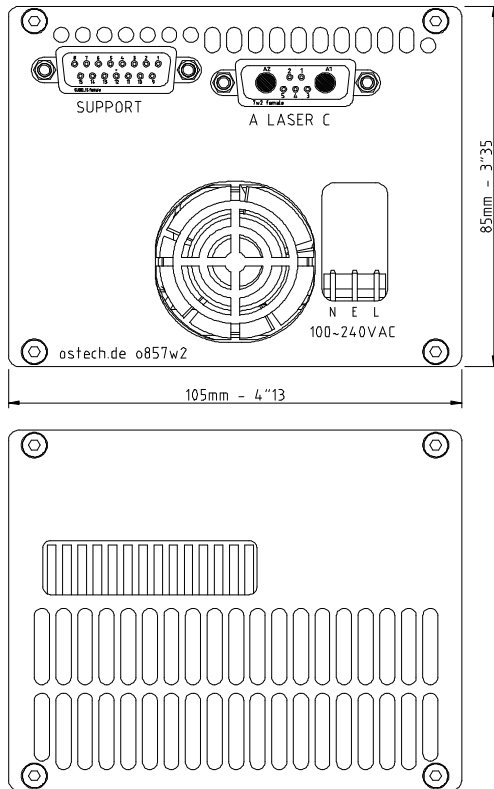


## OEM Laser Controller

### Mains Connector



MAINS INPUT: 3 Pin, 5.08mm, with Friction Lock, 18-24 AWG  
MOLEX HousingNo:10013036 TerminalNo:8701031



### References

<http://www.ostech.de/en/products/laser-drivers/ds11-o80>  
<http://www.ostech.de/en/downloads/manuals/ds-en.pdf>  
<http://www.ostech.de/en/downloads/labview>

### Accessories

- kab-la40-2x4qmm+5x0,14qmm-7w2-oe-1.3m-780  
cable 2x4qmm lmax 40A SUBD-7W2 and 5x0,14qmm to open ends 1.3m-length
- kab-lpa08-16pol-subd15m-oe-1.5m-39  
cable 16x0.35qmm / subd15-Gold-6,5A per pin to open end / length-1m5